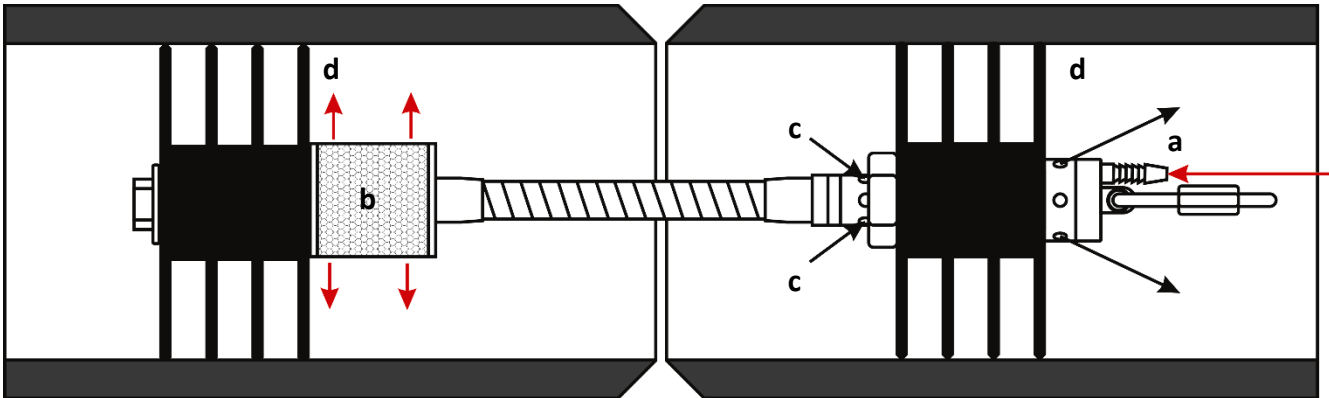


JA – Protective gas universal system



For forming pipes from \varnothing 43 mm to left \varnothing 410 mm (inside \varnothing)

Description:

The protective gas is introduced through the hose connection (a) and distributed via the diffuser (b), the residual oxygen escapes in a controlled manner via the front pane holder (c).

The system is positioned in the pipe with the help of the pull rope.

The sealing washers (d) and the diffuser (b) can be exchanged for a wide variety of pipe diameters.

Specialty:

- The 2 x 4 sealing lips provide additional tightness and stability in the pipe.
- Frontal aeration and degassing.
- The accompanying residual oxygen measurement option (measuring probe optional).

Material:

Diffuser, nut: stainless steel

Others: brass

Sealing washer: heat-resistant silicone up to 330 ° C

Hose connection DN5

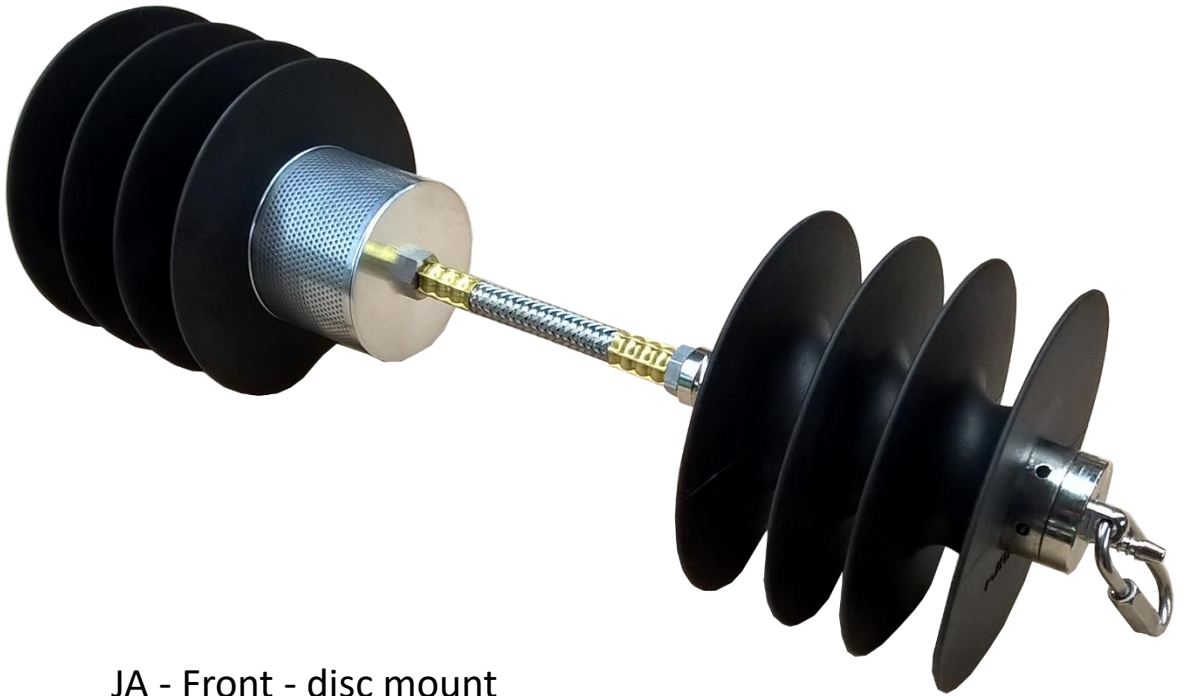
Recommendation:

In order to achieve better quality, we recommend masking the welding gap with the "JA - aluminum - masking tape"

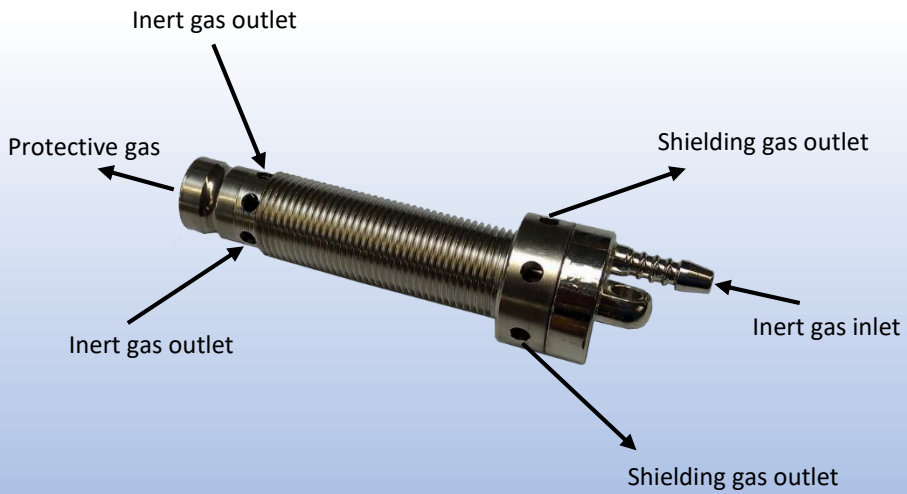




JA – Protective gas universal system



JA - Front - disc mount

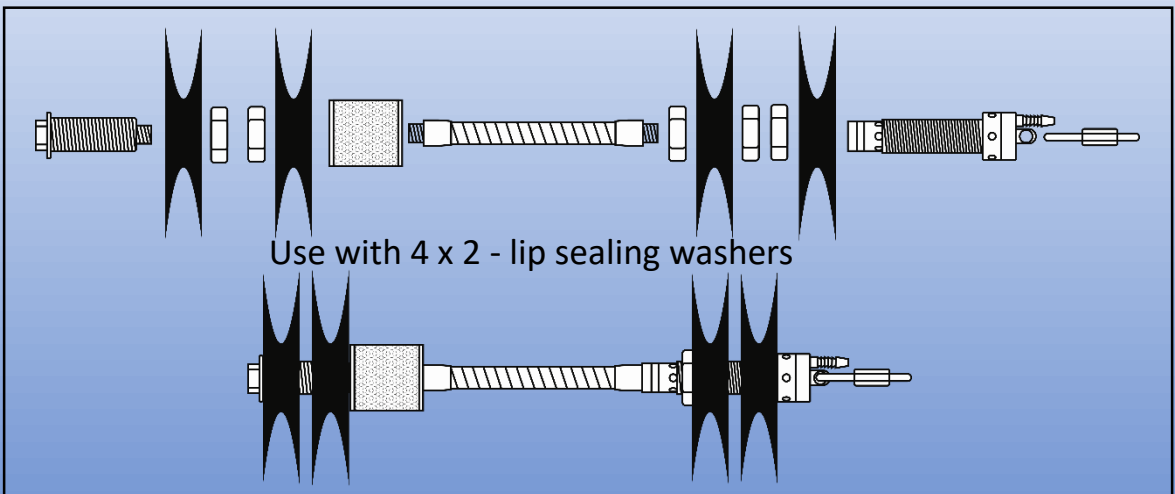
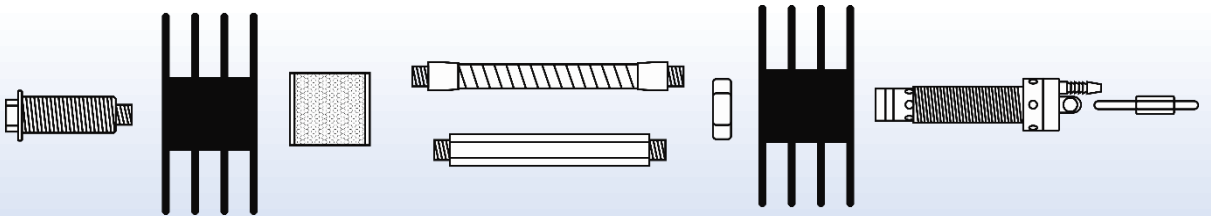
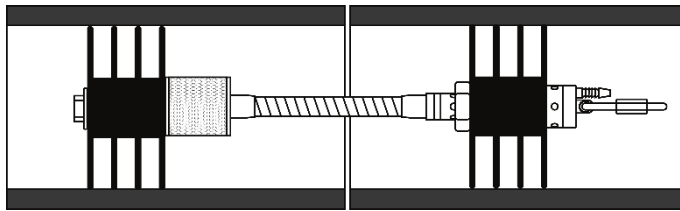
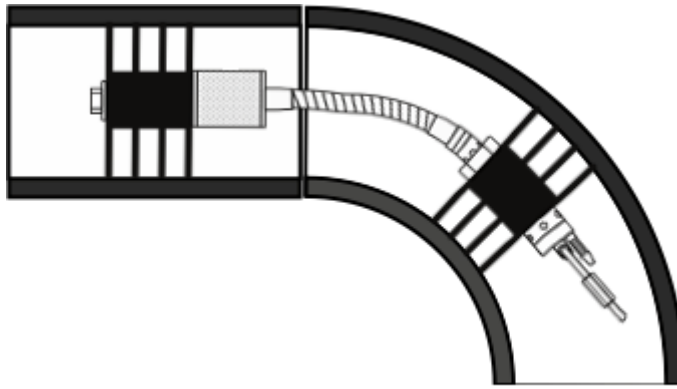


Possibility to measure residual oxygen





JA – Protective gas universal system



The standard thread of all connections is M10 x 1 and can be combined with the "JA modular system".



JA – Protective gas universal system

consists



Pos.	Item no	items
1	1	Front window mount M18 x 1,5 oder M20 x 1,5 AG with M10 x 1 IG
2	1	Rear window mount ohne Gewinde oder M20 x 1,5 with M10 x 1 AG
3	1	SS nut M18 x 1,5 or M20 x 1,5
4	1	SS shielding gas diffuser, M10 x 1
5	1	bendable link arm 150 mm lg., M10 x 1 AG
6	1	rigid connection SW 14, 100 mm lg., M 10 x 1
7	1	screwable chain link \varnothing 4 mm
8	1	10 m SS Pull rope \varnothing 2 mm
9	1	10 m 2-layer PVC fabric hose \varnothing 5 mm x \varnothing 8 mm (red)
10	4	hose clamp \varnothing 10,0 mm
11	1	Hose coupling DN 5 made of brass with gas shut-off
12	1	Hose plug-in nozzle DN 5 made of brass for coupling
13	1	Nut with grommet G 1/4" R or 3/8" L
14	2	4-lip heat-resistant sealing washers

Items 1 - 7 are delivered assembled as a unit!





JA – Protective gas universal system



Item pc	dimension	with diffuser	for pipe inside	DN	inch
---------	-----------	---------------	-----------------	----	------

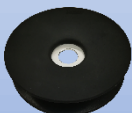


with 2 x 4 - lip sealing washers

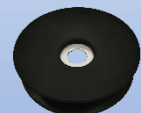


J0202003	Ø 18 x Ø 50 mm	Ø 27 x 40 mm lg.	Ø 43 – 48 mm	40	1 1/2"
J0202004	Ø 18 x Ø 55 mm	Ø 27 x 40 mm lg.	Ø 47 – 53 mm		
J0202005	Ø 18 x Ø 60 mm	Ø 36 x 40 mm lg.	Ø 52 – 58 mm	50	2"
J0202006	Ø 18 x Ø 70 mm	Ø 36 x 40 mm lg.	Ø 58 – 67 mm		
J0202007	Ø 18 x Ø 80 mm	Ø 44 x 40 mm lg.	Ø 68 – 77 mm	65	2 1/2"
J0202008	Ø 18 x Ø 90 mm	Ø 44 x 40 mm lg.	Ø 78 – 87 mm	80	3"
J0202009	Ø 18 x Ø 100 mm	Ø 44 x 40 mm lg.	Ø 85 – 97 mm		

J0202010	Ø 20 x Ø 115 mm	Ø 44 x 40 mm lg.	Ø 98 – 112 mm	100	4"
J0202011	Ø 20 x Ø 130 mm	Ø 44 x 40 mm lg.	Ø 112 – 127 mm		
J0202012	Ø 20 x Ø 145 mm	Ø 44 x 40 mm lg.	Ø 123 – 140 mm	125	5"
J0202013	Ø 20 x Ø 160 mm	Ø 60 x 40 mm lg.	Ø 138 – 155 mm		
J0202014	Ø 20 x Ø 175 mm	Ø 60 x 40 mm lg.	Ø 152 – 170 mm	150	6"
J0202015	Ø 20 x Ø 190 mm	Ø 60 x 40 mm lg.	Ø 166 – 185 mm		
J0202016	Ø 20 x Ø 210 mm	Ø 60 x 40 mm lg.	Ø 184 – 203 mm		
J0202017	Ø 20 x Ø 225 mm	Ø 60 x 40 mm lg.	Ø 198 – 218 mm	200	8"



with 4 x 2 - lip sealing washers



J0202019	Ø 20 x Ø 250 mm	Ø 60 x 60 mm lg.	Ø 215 – 240 mm		
J0202020	Ø 20 x Ø 270 mm	Ø 60 x 60 mm lg.	Ø 235 – 260 mm		
J0202021	Ø 20 x Ø 290 mm	Ø 60 x 60 mm lg.	Ø 255 – 280 mm	250	10"
J0202022	Ø 20 x Ø 310 mm	Ø 75 x 60 mm lg.	Ø 275 – 300 mm		
J0202023	Ø 20 x Ø 330 mm	Ø 100 x 100 mm lg.	Ø 290 – 320 mm	300	12"
J0202024	Ø 20 x Ø 350 mm	Ø 100 x 100 mm lg.	Ø 310 – 340 mm		
J0202025	Ø 20 x Ø 365 mm	Ø 100 x 100 mm lg.	Ø 325 – 355 mm	350	14"
J0202026	Ø 20 x Ø 385 mm	Ø 100 x 100 mm lg.	Ø 345 – 375 mm	400	16"
J0202027	Ø 20 x Ø 400 mm	Ø 100 x 100 mm lg.	Ø 360 – 390 mm		
J0202028	Ø 20 x Ø 420 mm	Ø 100 x 100 mm lg.	Ø 380 – 410 mm		



JA – Protective gas universal system in the suitcase

Basic equipment with protective gas fingers from DN 15 (1/2 ") and
Shielding gas universal systems up to DN 150 (6 ")

with accompanying residual oxygen measurement option



J0200049





JA – Protective gas universal system in the suitcase

Basic equipment with protective gas fingers from DN 15 (1/2 ") and
Shielding gas universal systems up to DN 150 (6 ")

Consists

Page 1 of 2

Item no	pc	item
50010500	1	PG-Finger Ø 10 mm x 50.0 mm long
50022500	1	PG-Finger Ø 22 mm x 50.0 mm long
50330021	1	Sealing disk (2-lips) Ø 6 mm x 21 mm
50330026	1	Sealing disk (2-lips) Ø 6 mm x 26 mm
50330031	1	Sealing disk (2-lips) Ø 6 mm x 31 mm
50330036	1	Sealing disk (2-lips) Ø 6 mm x 36 mm
50330041	1	Sealing disk (2-lips) Ø 6 mm x 41 mm
50330046	1	Sealing disk (2-lips) Ø 6 mm x 46 mm
50330051	1	Sealing disk (2-lips) Ø 6 mm x 51 mm
J0221067	2	Sealing disk (4-lips) Ø 18 mm x 50 mm
J0221068	2	Sealing disk (4-lips) Ø 18 mm x 55 mm
J0221069	2	Sealing disk (4-lips) Ø 18 mm x 60 mm
J0221070	2	Sealing disk (4-lips) Ø 18 mm x 70 mm
J0221071	2	Sealing disk (4-lips) Ø 18 mm x 80 mm
J0221072	2	Sealing disk (4-lips) Ø 18 mm x 90 mm
J0210103	1	Front disk bracket with thread M 18 x 1.5
J0210106	1	Rear disk bracket M10x1 OTHR
J0220613	1	Nut M 18 x 1.5; Stainless steel
50000011	2	Screwable carabiner Ø 4 mm; stainless steel
50036406	1	Stainless Steel-protective-gas-Diffusor Ø 36 x 40 mm
J0221004	2	Sealing disk (4-lips) Ø 20 mm x 115 mm
J0221006	2	Sealing disk (4-lips) Ø 20 mm x 145 mm
J0221008	2	Sealing disk (4-lips) Ø 20 mm x 175 mm
J0210104	1	Front disk bracket with thread M 20 x 1.5
J0210107	1	Rear disk bracket M 20x1.5/M10x1 OTHR
50000004A	1	Nut M 20 x 1,5; wrench width 30
50060406	1	Stainless Steel-protective-gas-Diffusor Ø 60 x 40 mm





JA – Protective gas universal system in the suitcase

Basic equipment with protective gas fingers from DN 15 (1/2 ") and
Shielding gas universal systems up to DN 150 (6 ")

Consists

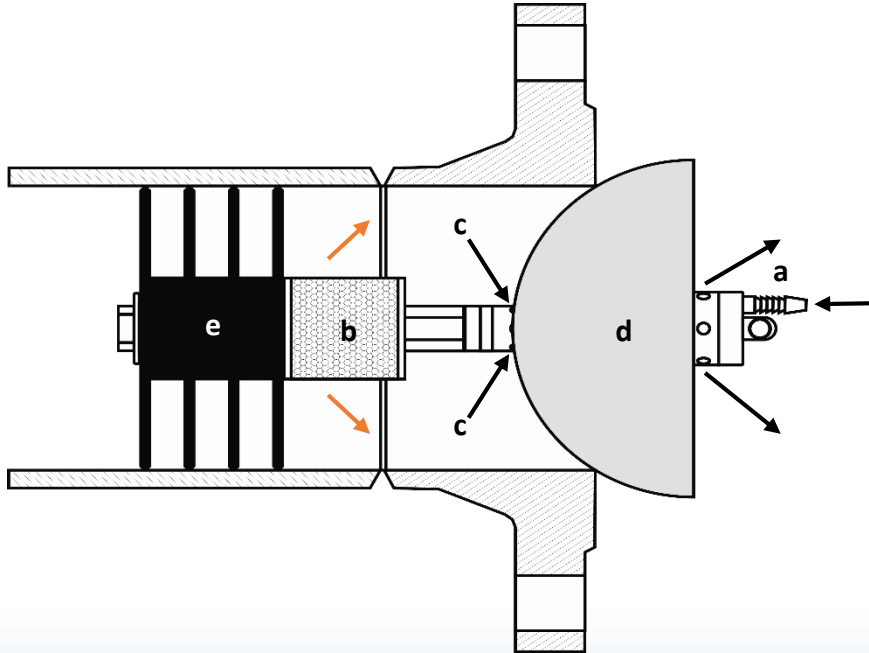
Page 2 of 2

Item no	pc	item
50120008	1	Flexible arms 120 mm long
50150008	1	Flexible arms 150 mm long
50200008	1	Flexible arms 200 mm long
50050010	1	Rigid pipe SW 14, 50 mm long
50100010	1	Rigid pipe SW 14, 100 mm long
50150010	1	Rigid pipe SW 14, 150 mm long
50000034	1	Connector SW 14, 20 mm long
50000021	1	2-ply PVC-hose Ø 5 x 8 mm; red
50000023	4	Stainless steel hose clip Ø 10,0 mm
50000024	2	Complete coupling DN5 (brass) with gas closing
50000025	2	Mouthpiece for hose, DN 5 (brass)
50000026	1	Nut G 1/4" R with mouthpiece DN5 (brass)
50210011	1	10m stainless steel release cable Ø 2 mm
	1	Aluminium Overing 25 mm width
	1	Aluminium Overing 33 mm width
90000101	1	JA gas indicator 0 – 50 Liter /Min.
90000130	1	JA – suitcase (empty)

J0200049		case complete
----------	--	----------------------



JA – Protective gas universal system with sealing hemisphere



For forming flange - pipe connections from \varnothing 43 mm to \varnothing 218 mm with stainless steel sealing hemisphere and sealing washer.

Description:

The protective gas is introduced into the hose connection (a) and distributed through the interior of the diffuser (b), the overpressure escapes through the front gas outlet hole (c) of the front disc holder. The VA sealing hemisphere (d) is screwed against the flange for sealing.

* Sealing washers (e), * sealing hemisphere (d) and diffuser (b) can be exchanged as required.

*Depending on the thread of the disc holder (M18 or M20)

Material:

Disc mounts: brass

Sealing hemisphere: stainless steel

Sealing washer: heat-resistant silicone up to 330 ° C



JA – Protective gas universal system with sealing hemisphere

consists



Pos.	pc.	item
1	1	Front window mount, M18 x 1,5 oder M20 x 1,5 AG mit M10 x 1
2	1	Rear disc mount without thread or M20 x 1,5 mit M10 x 1
3	1	SS shielding gas diffuser, M10 x 1
4	1	rigid connection SW 14, 20 mm lg., M 10 x 1
5	1	10 m 2 ply PVC fabric hose \varnothing 5 mm x \varnothing 8 mm (red)
6	4	Stainless steel single-pipe hose clamp with insert ring \varnothing 10,0 mm
7	1	Hose coupling DN 5 made of brass with gas shut-off
8	1	Hose nozzle DN 5 made of brass for coupling
9	1	Hose connection with nut G 1/4 "R or 3/8" L
10	1	4-lip heat-resistant sealing washer
11	1	SS Sealing hemisphere, M18 x 1.5 or M20 x 1.5 IG



JA – Protective gas universal system with sealing hemisphere



Item no	heat-resistant sealing washers	pipe inside	Sealing hemisphere	Diffuser	DN	inch
J0202103	∅ 18 x ∅ 50 mm	∅ 43 – 48 mm	∅ 60 mm x M18	∅ 27 x 40 mm lg.	40	1 1/2"
J0202104	∅ 18 x ∅ 55 mm	∅ 47 – 53 mm	∅ 60 mm x M18	∅ 27 x 40 mm lg.		
J0202105	∅ 18 x ∅ 60 mm	∅ 52 – 58 mm	∅ 80 mm x M18	∅ 36 x 40 mm lg.	50	2"
J0202106	∅ 18 x ∅ 70 mm	∅ 58 – 67 mm	∅ 80 mm x M18	∅ 36 x 40 mm lg.		
J0202107	∅ 18 x ∅ 80 mm	∅ 68 – 77 mm	∅ 98 mm x M18	∅ 44 x 40 mm lg.	65	2 1/2"
J0202108	∅ 18 x ∅ 90 mm	∅ 78 – 87 mm	∅ 98 mm x M18	∅ 44 x 40 mm lg.	80	3"
J0202109	∅ 18 x ∅ 100 mm	∅ 85 – 97 mm	∅ 121 mm x M18	∅ 44 x 40 mm lg.		
J0202110	∅ 20 x ∅ 115 mm	∅ 98 – 112 mm	∅ 137 mm x M20	∅ 44 x 40 mm lg.	100	4"
J0202111	∅ 20 x ∅ 130 mm	∅ 112 – 127 mm	∅ 150 mm x M20	∅ 44 x 40 mm lg.		
J0202112	∅ 20 x ∅ 145 mm	∅ 123 – 140 mm	∅ 150 mm x M20	∅ 44 x 40 mm lg.	125	5"
J0202113	∅ 20 x ∅ 160 mm	∅ 138 – 155 mm	∅ 174 mm x M20	∅ 60 x 40 mm lg.		
J0202114	∅ 20 x ∅ 175 mm	∅ 152 – 170 mm	∅ 201 mm x M20	∅ 60 x 40 mm lg.	150	6"
J0202115	∅ 20 x ∅ 190 mm	∅ 166 – 185 mm	∅ 201 mm x M20	∅ 60 x 40 mm lg.		
J0202116	∅ 20 x ∅ 210 mm	∅ 184 – 203 mm	∅ 224 mm x M20	∅ 60 x 40 mm lg.		
J0202117	∅ 20 x ∅ 225 mm	∅ 198 – 218 mm	∅ 224 mm x M20	∅ 60 x 40 mm lg.	200	8"
<i>with 2 sealing washers (2 lipped)!</i>						
J0202118	2 X ∅ 20 x ∅ 290 mm	∅ 255 – 280 mm	∅ 294 mm x M20	∅ 100 x 100 mm lg.	250	10"





JA – protective gas - universal system with sealing hemisphere in the case

for pipe-flange welding work, from DN 15 (1/2 ") to DN 150 (6")



J0200048



JA – protective gas - universal system with sealing hemisphere in the case



Consists

Page 1 of 2

Item no	pc	item
MA5033002	2	Bracket for Mini-Hemisphere-System
50330021	2	Sealing disk (2-lips) Ø 6 mm x 21 mm
50330026	2	Sealing disk (2-lips) Ø 6 mm x 26 mm
50330031	2	Sealing disk (2-lips) Ø 6 mm x 31 mm
50330036	2	Sealing disk (2-lips) Ø 6 mm x 36 mm
50330041	2	Sealing disk (2-lips) Ø 6 mm x 41 mm
50330046	2	Sealing disk (2-lips) Ø 6 mm x 46 mm
50330051	2	Sealing disk (2-lips) Ø 6 mm x 51 mm
J0210126	1	Screwable sealing hemisphere Ø 40 mm
J0210127	1	Screwable sealing hemisphere Ø 60mm
J0210103	1	Front disk bracket with thread M 18 x 1.5
J0210134	1	Screwable sealing hemisphere Ø 121 mm; M18
J0221067	1	Sealing disk (4-lips) Ø 18 mm x 50 mm
J0221069	1	Sealing disk (4-lips) Ø 18 mm x 60 mm
J0221071	1	Sealing disk (4-lips) Ø 18 mm x 80 mm
J0221072	1	Sealing disk (4-lips) Ø 18 mm x 90 mm
J0221073	1	Sealing disk (4-lips) Ø 18 mm x 100 mm



JA – protective gas - universal system with sealing hemisphere in the case



Consists

Page 2 of 2

Item no	pc	item
J0210106	1	Rear disk bracket M10x1 OTHR
J0210104	1	Front disk bracket with thread M 20 x 1.5
J0210135	1	Screwable sealing hemisphere Ø 137 mm; M20
J0210137	1	Screwable sealing hemisphere Ø 174 mm; M20
J0221004	1	Sealing disk (4-lips) Ø 20 mm x 115 mm
J0221006	1	Sealing disk (4-lips) Ø 20 mm x 145 mm
J0221007	1	Sealing disk (4-lips) Ø 20 mm x 160 mm
J0221008	1	Sealing disk (4-lips) Ø 20 mm x 175 mm
J0210107	1	Rear disk bracket M 20x1.5/M10x1 OTHR
50060010	2	Rigid pipe SW 14, 60 mm long
50100010	1	Rigid pipe SW 14, 100 mm long
50150010	1	Rigid pipe SW 14, 150 mm long
50027406	1	Stainless Steel–protective-gas-Diffusor Ø 27 x 40 mm
50060606	1	Stainless Steel–protective-gas-Diffusor Ø 60 x 60 mm
	1	10 m two-layer PVC fabric hose Ø 5 x 8 mm with connections (50000021 / m)
50000036	2	Hose connection Set 1/4" R
90000101	1	JA gas indicator 0 – 50 Liter /Min.
	1	Aluminium Overring 25 mm width
J0900002	1	JA suitcase

J0200048		case complete
----------	--	---------------





JA – Protective gas universal system

Elbow running device

Application: Can also be used if necessary.

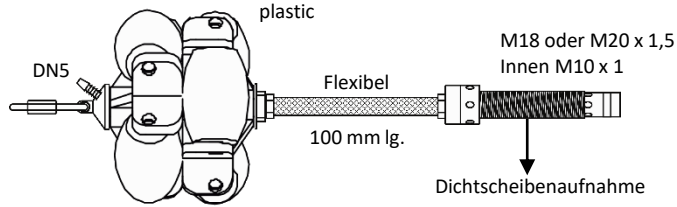
Description: The running device serves as an additional aid for guiding the "JA - Universal - System" in the pipe bend, it prevents the sealing disc from folding down (leakage) and improves the Distribution of forces on the pulling device through central guidance.



JA – Protective gas universal system

Elbow running device

Bild.1



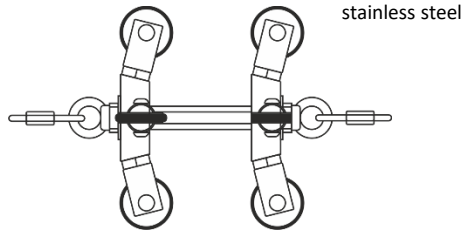
DEFAULT

Application : For pipes up to 100 mm inside diameter

Description : Running device is additionally mounted on the front of the "JA - Universal - System"

Special feature : central gas supply (no hose between the "universal system" and the running device).

Bild.2



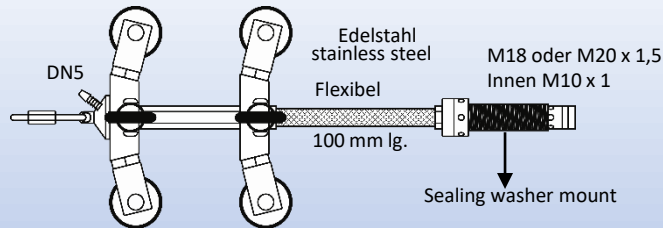
DEFAULT

Application : For pipes from 100 mm inside diameter

Description : Running device is also attached to the front of the "JA - Universal - System"

Special feature : the hose is guided past the running device.

Bild.3



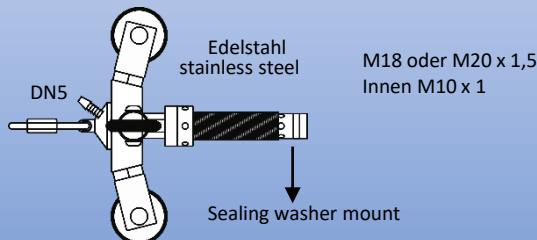
DEFAULT

Application : For pipes from 100 mm inside diameter

Description : Running device is also mounted on the front of the "JA - Universal System"

Special feature : central gas supply (no hose between the "universal system" and the running device).

Bild.4



DEFAULT

Application : For pipes from 100 mm inside diameter

Description : Running device is also mounted on the front of the "JA - Universal - System".

Special feature : central gas supply (no hose between the "universal system" and the running device).





JA – Protective gas universal system

Elbow running device

for JA universal systems from Ø 45 mm to Ø 410 mm inside pipe diameter.

Item no	for pipe inside	Specialty	material	Bild	DN	inch
50045060	Ø 45 – 60 mm	central fumigation	Kunststoff	1	50	2"
50050070	Ø 55 – 70 mm	central fumigation	Kunststoff	1		
50065085	Ø 65 – 85 mm	central fumigation	Kunststoff	1	65 80	2 ½" 3"
50085105	Ø 85 – 105 mm	central fumigation	Kunststoff	1		

4105140K	Ø 105 – 140 mm	separate fumigation	VA / Aluminium / Viton	2	100 125	4" 5"
4140160K	Ø 140 – 160 mm	separate fumigation	VA / Aluminium / Viton	2	150	6"
4160190K	Ø 160 – 190 mm	separate fumigation	VA / Aluminium / Viton	2		
4190220K	Ø 190 – 220 mm	separate fumigation	VA / Aluminium / Viton	2	200	8"
4220250K	Ø 220 – 250 mm	separate fumigation	VA / Aluminium / Viton	2		
4250280K	Ø 250 – 280 mm	separate fumigation	VA / Aluminium / Viton	2	250	10"
4280310K	Ø 280 – 310 mm	separate fumigation	VA / Aluminium / Viton	2		
4310340K	Ø 310 – 340 mm	separate fumigation	VA / Aluminium / Viton	2	300	12"
4340370K	Ø 340 – 370 mm	separate fumigation	VA / Aluminium / Viton	2	350	14"
4370400K	Ø 370 – 400 mm	separate fumigation	VA / Aluminium / Viton	2	400	16"
4400410K	Ø 400 – 410 mm	separate fumigation	VA / Aluminium / Viton	2		

5105140F	Ø 105 – 140 mm	central fumigation	VA / Aluminium / Viton	3	100 125	4" 5"
5140160F	Ø 140 – 160 mm	central fumigation	VA / Aluminium / Viton	3	150	6"
5160190F	Ø 160 – 190 mm	central fumigation	VA / Aluminium / Viton	3		
5190220F	Ø 190 – 220 mm	central fumigation	VA / Aluminium / Viton	3	200	8"
5220250F	Ø 220 – 250 mm	central fumigation	VA / Aluminium / Viton	3		
5250280F	Ø 250 – 280 mm	central fumigation	VA / Aluminium / Viton	3	250	10"
5280310F	Ø 280 – 310 mm	central fumigation	VA / Aluminium / Viton	3		
5310340F	Ø 310 – 340 mm	central fumigation	VA / Aluminium / Viton	3	300	12"
5340370F	Ø 340 – 370 mm	central fumigation	VA / Aluminium / Viton	3	350	14"
5370400F	Ø 370 – 400 mm	central fumigation	VA / Aluminium / Viton	3	400	16"
5400410F	Ø 400 – 410 mm	central fumigation	VA / Aluminium / Viton	3		

Running device picture. 4 on request!



JA – Protective gas universal system

Spare parts and accessories



JA – Protective gas universal system

Spare parts and accessories



The standard thread of all connections is M10 x 1 and can be combined with the JA universal system.

JA – Protective gas universal system

Spare parts and accessories

Item no	item	Pos.
J0210103	Front disk bracket with thread M 18 x 1.5	1
J0210104	Front disk bracket with thread M 20 x 1.5	1
J0210106	Rear disk bracket M10x1 OTHR	2
J0210107	Rear disk bracket M 20x1.5/M10x1 OTHR	2
★ J0210108	Front disk bracket with thread M 18 x 1.5	3
★ J0210109	Front disk bracket with thread M 20 x 1.5	3
★ J0210110	Front disk bracket with thread M 18 x 1.5	4
★ J0210111	Front disk bracket with thread M 20 x 1.5	4
J0220613	Nut M 18 x 1.5; Stainless steel	4
50000004A	Nut M 20 x 1,5; wrench width 30	4
50027406	Stainless Steel–protective-gas-Diffusor Ø 27 x 40 mm	5
50036406	Stainless Steel–protective-gas-Diffusor Ø 36 x 40 mm	5
50044406	Stainless Steel–protective-gas-Diffusor Ø 44 x 40 mm	5
50060406	Stainless Steel–protective-gas-Diffusor Ø 60 x 40 mm	5
50060606	Stainless Steel–protective-gas-Diffusor Ø 60 x 60 mm	5
50075606	Stainless Steel–protective-gas-Diffusor Ø 75 x 60 mm	5
50075106	Stainless Steel–protective-gas-Diffusor Ø 75 x 100 mm	5
50100106	Stainless Steel–protective-gas-Diffusor Ø 100 x 100 mm	5
50150106	Stainless Steel–protective-gas-Diffusor Ø150 x 100 mm	5
50200106	Stainless Steel–protective-gas-Diffusor Ø 200 x 100 mm	5
50250106	Stainless Steel–protective-gas-Diffusor Ø 250 x 100 mm	5
50120008	Flexible arms 120 mm long	6
50150008	Flexible arms 150 mm long	6
50200008	Flexible arms 200 mm long	6
50300008	Flexible arms 300 mm long	6
50400008	Flexible arms 400 mm long	6
50150008A	Stainless Steel–Metal Gas hose/High flexible; 150 mm	7
50000009	Gas manifold nozzle SW 14	8

★ = Special design



JA – Protective gas universal system

Spare parts and accessories

Item no	item	Pos.
50005010	Rigid pipe SW 14, 5 mm long	9
50010010	Rigid pipe SW 14, 10 mm long	9
50020010	Rigid pipe SW 14, 20 mm long	9
50040010	Rigid pipe SW 14, 40 mm long	9
50050010	Rigid pipe SW 14, 50 mm long	9
50060010	Rigid pipe SW 14, 60 mm long	9
50100010	Rigid pipe SW 14, 100 mm long	9
50150010	Rigid pipe SW 14, 150 mm long	9
50200010	Rigid pipe SW 14, 200 mm long	9
50300010	Rigid pipe SW 14, 300 mm long	9
50400010	Rigid pipe SW 14, 400 mm long	9
50000011	Screwable carabiner Ø 4 mm; stainless steel	10
50210011	10m stainless steel release cable Ø 2 mm	11
50220011	20m stainless steel release cable Ø 2 mm	11
50310011	10m stainless steel release cable Ø 3 mm	11
50320011	20m stainless steel release cable Ø 3 mm	11
50210011P	10m stainless steel release cable Ø 3 mm PVC coated	11
50220011P	20m stainless steel release cable Ø 3 mm PVC coated	11
50000021	2-ply PVC-hose Ø 5 x 8 mm; red	14
50000022	PA-hose Ø 5 x Ø 8 mm (white)	15
50000047	Largely oxygen diffusion-proof hose Ø 6 x 1.0 mm (wall)	16
J0920601	SS flexible hose Ø 6,5 mm (inner)x1,5 mm	17
50000023	Stainless steel hose clip Ø 10,0 mm	18
50000024	Complete coupling DN5 (brass) with gas closing	19
50000025	Mouthpiece for hose, DN 5 (brass)	20
50000026	Nut G 1/4" R with mouthpiece DN5 (brass)	21
50000027	Nut G 3/8" L with mouthpiece DN5 (brass)	22
50000028	Oxygen-measuring PA-hose Ø 3 x 5 mm	15
50000029	Oxygen-measuring probe M 5 x 23 mm with nut	23
50000030	Seal plug M 10 x 1 outer thread	24
50000031	Stainless steel chain Ø 4 mm	25
50000034	Connector SW 14, 20 mm long	26
50000035	Hose connection socket with nut M 10 x 1	21
50000035A	2-ply PVC-hose Ø 5 x 8 mm; red	27
50000036	Hose connection Set 1/4" R	28
50000037	Hose connection Set 3/8" L	28

* Special lengths are possible for a surcharge!



JA – Protective gas universal system

Spare parts and accessories

Item no	item	Pos.
50000038	Hose rotary feedthrough DN5	29
50000039	Eye bolt M 10 x 1	30
50000041	Double branch valve 1/4 "Right	31
50000042	Double branch valve 3/8 "Left	31
1034	Power connection for monocable	34
50000040	Connection nozzle M10x1 SW11	33
J0910106 A	Oxygen measuring probe, VA tube \varnothing 2.5 mm, 135 mm long. DN3 (O ² measurement)	32
J0910106 B	Oxygen measuring probe, VA tube \varnothing 1.5 mm, 135 mm long. DN3 (O ² measurement)	32
50000012B	Sintered metal gas outlet (M6 x 35);48 mm long	35



JA – Protective gas universal system

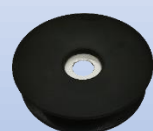
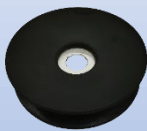
Spare parts and accessories



JA - 4-lip heat-resistant sealing washers up to 330 ° C

Item no (pc)	dimension	pipe inside diameter	DN	inch
J0221067	∅ 18 x 50 mm	∅ 43 – ∅ 48 mm	40	1 1/2"
J0221068	∅ 18 x 55 mm	∅ 47 – ∅ 53 mm		
J0221069	∅ 18 x 60 mm	∅ 52 – ∅ 58 mm	50	2"
J0221070	∅ 18 x 70 mm	∅ 58 – ∅ 67 mm		
J0221071	∅ 18 x 80 mm	∅ 68 – ∅ 77 mm	65	2 1/2"
J0221072	∅ 18 x 90 mm	∅ 78 – ∅ 87 mm	80	3"
J0221073	∅ 18 x 100 mm	∅ 85 – ∅ 97 mm		

J0221004	∅ 20 x 115 mm	∅ 98 – ∅ 112 mm	100	4"
J0221005	∅ 20 x 130 mm	∅ 112 – ∅ 127 mm		
J0221006	∅ 20 x 145 mm	∅ 123 – ∅ 140 mm	125	5"
J0221007	∅ 20 x 160 mm	∅ 138 – ∅ 155 mm		
J0221008	∅ 20 x 175 mm	∅ 152 – ∅ 170 mm	150	6"
J0221009	∅ 20 x 190 mm	∅ 165 – ∅ 185 mm		
J0221010	∅ 20 x 210 mm	∅ 184 – ∅ 203 mm		
J0221011	∅ 20 x 225 mm	∅ 198 – ∅ 218 mm	200	8"



JA - 2-lip heat-resistant sealing washers up to 330 ° C

Item no (pc)	dimension	pipe inside diameter	DN	inch
50330250	∅ 20 mm x 250 mm	∅ 215 mm – ∅ 240 mm		
50330270	∅ 20 mm x 270 mm	∅ 235 mm – ∅ 260 mm		
50330290	∅ 20 mm x 290 mm	∅ 255 mm – ∅ 280 mm	250	10"
50330310	∅ 20 mm x 310 mm	∅ 275 mm – ∅ 300 mm		
50330330	∅ 20 mm x 330 mm	∅ 290 mm – ∅ 320 mm	300	12"
50330350	∅ 20 mm x 350 mm	∅ 310 mm – ∅ 340 mm		
50330365	∅ 20 mm x 365 mm	∅ 325 mm – ∅ 355 mm	350	14"
50330385	∅ 20 mm x 385 mm	∅ 345 mm – ∅ 375 mm		
50330400	∅ 20 mm x 400 mm	∅ 360 mm – ∅ 390 mm	400	16"
50330420	∅ 20 mm x 420 mm	∅ 380 mm – ∅ 410 mm		

JA – Protective gas universal system

Spare parts and accessories



Screwable seal hemisphere made of stainless steel

Item no (pc)	dimension	for tube inside diameter	DN	inch
J0210131	Ø 70 mm mit M 18 x 1,5	Ø 40 – 65 mm	40 & 50	1 1/2" & 2"
J0210132	Ø 98 mm mit M 18 x 1,5	Ø 50 – 90 mm	50, 65 & 80	2", 2 1/2" & 3"
J0210134	Ø 121 mm mit M 18 x 1,5	Ø 50 – 110 mm	50, 65, 80 & 100	2", 2 1/2", 3" & 4"
J0210135	Ø 137 mm mit M 20 x 1,5	Ø 70 – 120 mm	65, 80 & 100	2 1/2", 3" & 4"
J0210136	Ø 150 mm mit M 20 x 1,5	Ø 80 – 130 mm	80 & 100	3" & 4"
J0210137	Ø 174 mm mit M 20 x 1,5	Ø 80 – 150 mm	80, 100 & 125	3", 4" & 5"
J0210138	Ø 201 mm mit M 20 x 1,5	Ø 100 – 175 mm	100, 125 & 150	4", 5" & 6"
J0210139	Ø 224 mm mit M 20 x 1,5	Ø 100 – 200 mm		
J0210140	Ø 254 mm mit M 20 x 1,5	Ø 150 – 225 mm	150 & 200	6" & 8"
J0210141	Ø 269 mm mit M 20 x 1,5	Ø 150 – 250 mm		
J0210142	Ø 294 mm mit M 20 x 1,5	Ø 150 – 275 mm	150, 200 & 250	6", 8" & 10"

Manufacturer



E. Jankus GmbH



industrial supplies and welding technology
Natorper Str. 88
D-59439 Holzwickede
Germany

Tel.: (+49) 02301 120 42/43 - Fax: (+49) 02301 4441

Mail: info@ja-online.de

www.ja-online.de



Please note that we are always improving our products, we reserve the right to make changes without prior notice and are not liable for damage caused by improper use of our products.