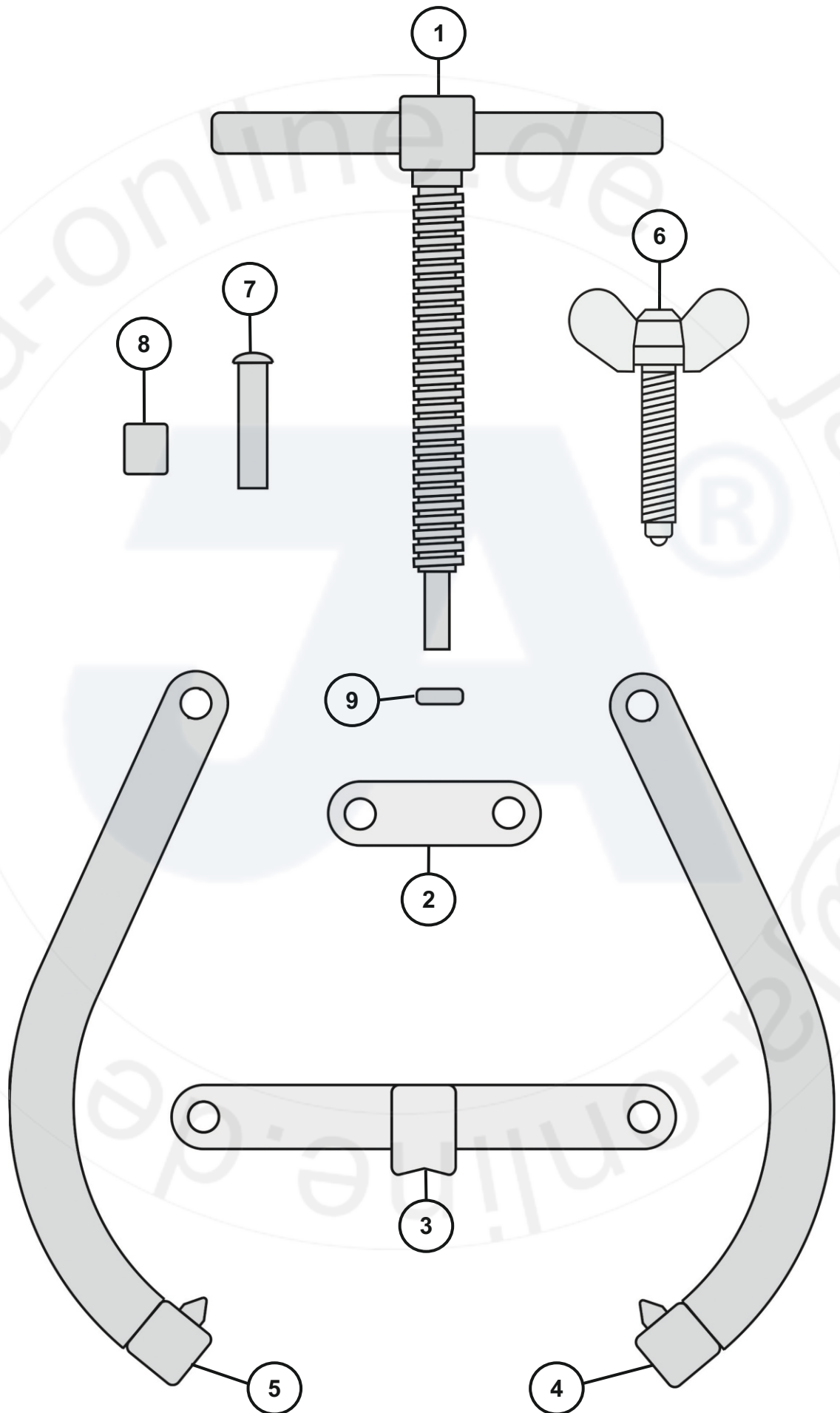


JA[®] Rohr-Schnellspanner





Ersatzteile für JA-Rohr-Schnellspanner aus C-Stahl

Pos.		1/2 – 3 C	1 – 3 C	2 – 5 C	4 – 7 C	5 – 9 C	10 – 14 C
1.	Spindel & Stelling	J0110700	J0110701	J0110702	J0110702	J0110703	J0110703
2.	H-Bügel	H 1-3 C	H 1-3 C	H 2-5 C	H 4-7 C	H 5-9 C	H 10-14 C
3.	Spannbügel	B 1/2-3 C	B 1-3 C	B 2-5 C	B 4-7 C	B 5-9 C	B 10-14 C
4.	Spannarm (rechts)	A R 1/2-3C	A R 1-3 C	A R 2-5 C	A R 4-7 C	A R 5-9 C	A R 10-14 C
5.	Spannarm (links)	A L 1/2-3C	A L 1-3 C	A L 2-5 C	A L 4-7 C	A L 5-9 C	A L 10-14 C
6.	Flügelschraube	J0110707	J0110704	J0110705	J0110705	J0110706	J0110706
7.	Niet	J0120742	J0120742	J0120743	J0120743	J0120744	J0120744
8.	Gleitrolle	J0120704	J0120705	J0120706	J0120706	J0120707	J0120707
9.	Stelling	J0120701	J0120701	J0120702	J0120702	J0120703	J0120703



Ersatzteile für JA-Rohr-Schnellspanner aus Edelstahl

Pos.		1 – 3 E	2 – 5 E	4 – 7 E	5 – 9 E	10 – 14 E
1.	Spindel & Stelling	J0110701	J0110702	J0110702	J0110703	J0110703
2.	H-Bügel	H 1-3 VA	H 2-5 VA	H 4-7 VA	H 5-9 VA	H 10-14 VA
3.	Spannbügel	B 1-3 VA	B 2-5 VA	B 4-7 VA	B 5-9 VA	B 10-14 VA
4.	Spannarm (rechts)	A R 1-3 VA	A R 2-5 VA	A R 4-7 VA	A R 5-9 VA	A R 10-14 VA
5.	Spannarm (links)	A L 1-3 VA	A L 2-5 VA	A L 4-7 VA	A L 5-9 VA	A L 10-14 VA
6.	Flügelschraube	J0110604	J0110605	J0110605	J0110606	J0110606
7.	Niet	J0120642	J0120643	J0120643	J0120644	J0120644
8.	Gleitrolle	J0120605	J0120606	J0120606	J0120607	J0120607
9.	Stelling	J0120601	J0120602	J0120602	J0120603	J0120603



Spare parts for JA-pipe quick release clamps made of steel

Pos.		1/2 – 3 C	1 – 3 C	2 – 5 C	4 – 7 C	5 – 9 C	10 – 14 C
1.	Tie bar with fixing collar	J0110700	J0110701	J0110702	J0110702	J0110703	J0110703
2.	H-Bracket	H 1-3 C	H 1-3 C	H 2-5 C	H 4-7 C	H 5-9 C	H 10-14 C
3.	Clamping Bracket	B 1/2-3 C	B 1-3 C	B 2-5 C	B 4-7 C	B 5-9 C	B 10-14 C
4.	Tensioning Arm (right)	A R 1/2-3C	A R 1-3 C	A R 2-5 C	A R 4-7 C	A R 5-9 C	A R 10-14 C
5.	Tensioning Arm (left)	A L 1/2-3C	A L 1-3 C	A L 2-5 C	A L 4-7 C	A L 5-9 C	A L 10-14 C
6.	Wing Bolt with ball	J0110707	J0110704	J0110705	J0110705	J0110706	J0110706
7.	Rivet	J0120742	J0120742	J0120743	J0120743	J0120744	J0120744
8.	Caster-Roll	J0120704	J0120705	J0120706	J0120706	J0120707	J0120707
9.	Fixing collar	J0120701	J0120701	J0120702	J0120702	J0120703	J0120703



Spare parts for JA-pipe quick release clamps made of stainless steel

Pos.		1 – 3 E	2 – 5 E	4 – 7 E	5 – 9 E	10 – 14 E
1.	Tie bar with fixing collar	J0110701	J0110702	J0110702	J0110703	J0110703
2.	H-Bracket	H 1-3 VA	H 2-5 VA	H 4-7 VA	H 5-9 VA	H 10-14 VA
3.	Clamping Bracket	B 1-3 VA	B 2-5 VA	B 4-7 VA	B 5-9 VA	B 10-14 VA
4.	Tensioning Arm (right)	A R 1-3 VA	A R 2-5 VA	A R 4-7 VA	A R 5-9 VA	A R 10-14 VA
5.	Tensioning Arm (left)	A L 1-3 VA	A L 2-5 VA	A L 4-7 VA	A L 5-9 VA	A L 10-14 VA
6.	Wing Bolt with ball	J0110604	J0110605	J0110605	J0110606	J0110606
7.	Rivet	J0120642	J0120643	J0120643	J0120644	J0120644
8.	Caster-Roll	J0120605	J0120606	J0120606	J0120607	J0120607
9.	Fixing collar	J0120601	J0120602	J0120602	J0120603	J0120603